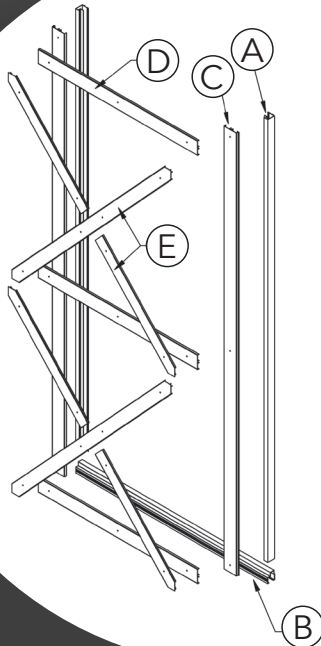
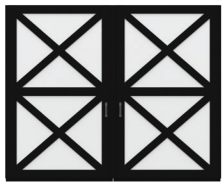


5115 SLIDING DOOR KIT

DOUBLE DOOR SIZES:

8x8, 8x10, 10x10,
10x12, 12x12

1 H-Rail provided w/
double door kits



All parts
precut &
predrilled
for **fast**
assembly!

SINGLE DOOR SIZES:

4x8, 4x10, 5x10,
5x12, 6x10,
6x12



CONTRACTOR PROVIDES:

Plywood
Structural fasteners
Steel horizontals*
29 Ga. backer steel
Track, trolleys & hardware*
**available at MWI*

**A COLOR MATCHED, POWDER-COATED
5115 SLIDING DOOR KIT INCLUDES:**

- A. 2 Vertical door rails
- B. 1 Bottom door rail
- C. 2 Vertical trims
- D. 3 Horizontal trims
- E. 2 Cross-buck sets
- E. 40 Piece colored screw package