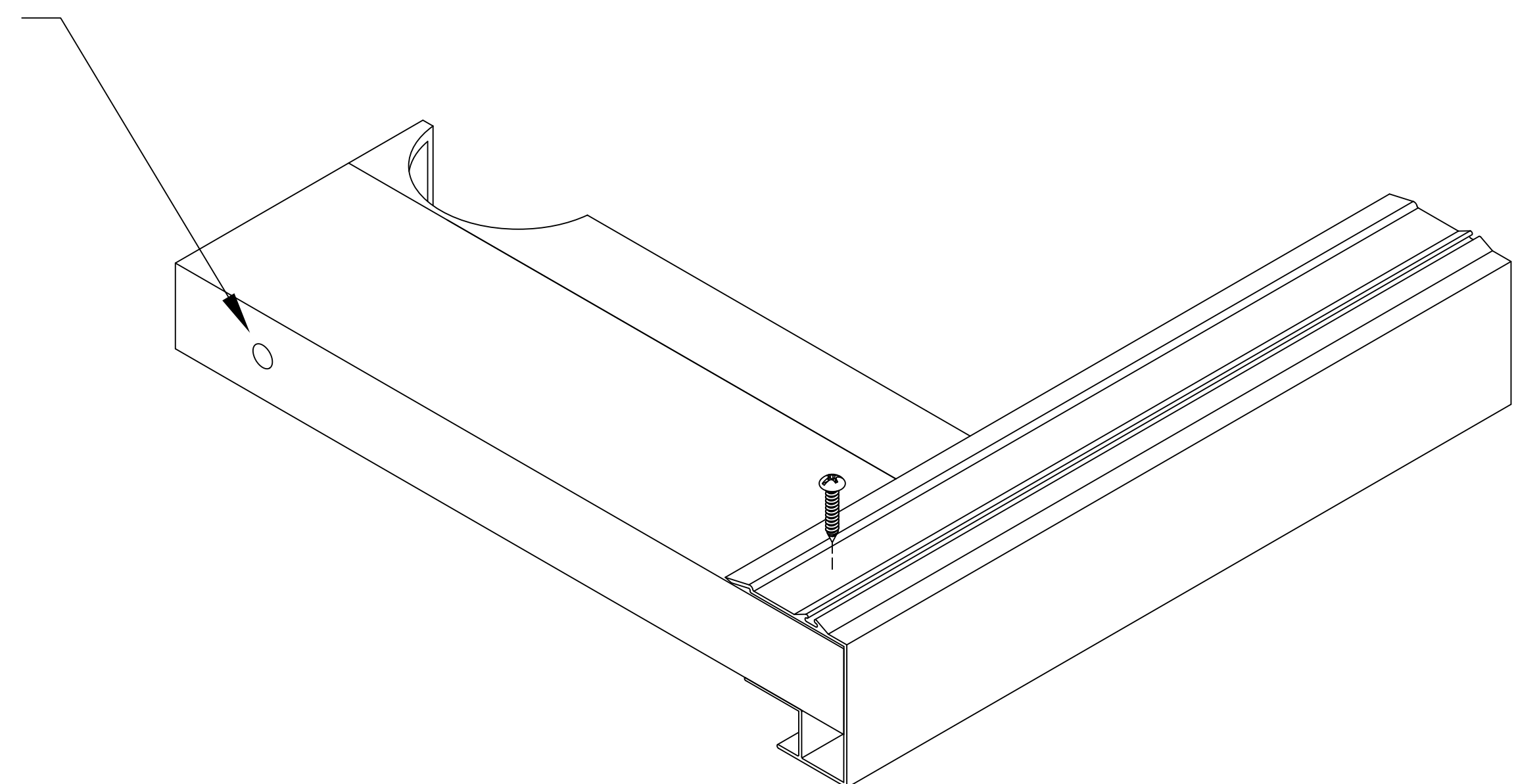




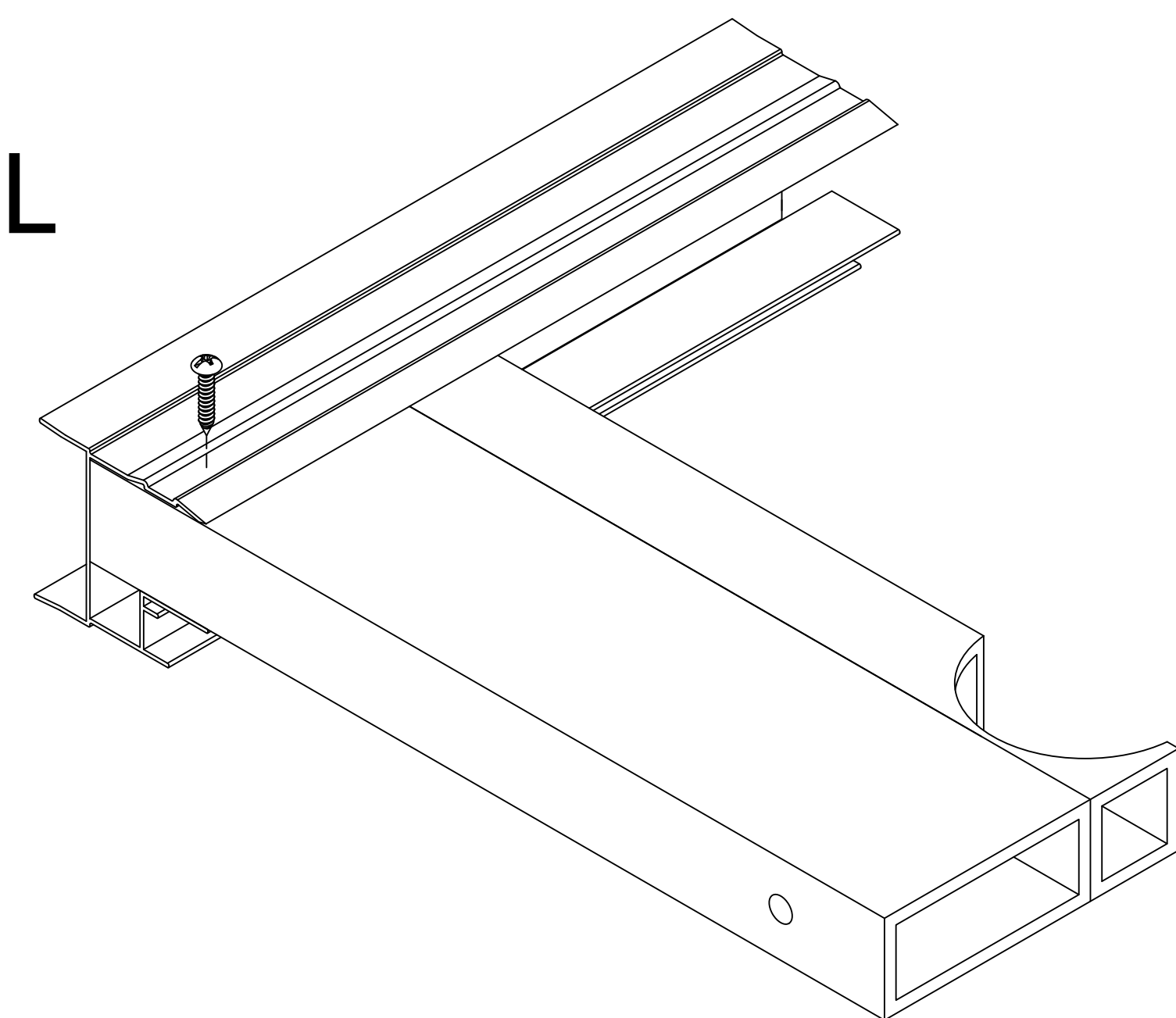
ARCADIAN SLIDER HALF-LITE DOOR ASSEMBLY INSTRUCTIONS

FACTORY DRILLED
1/2" TROLLEY HOLE

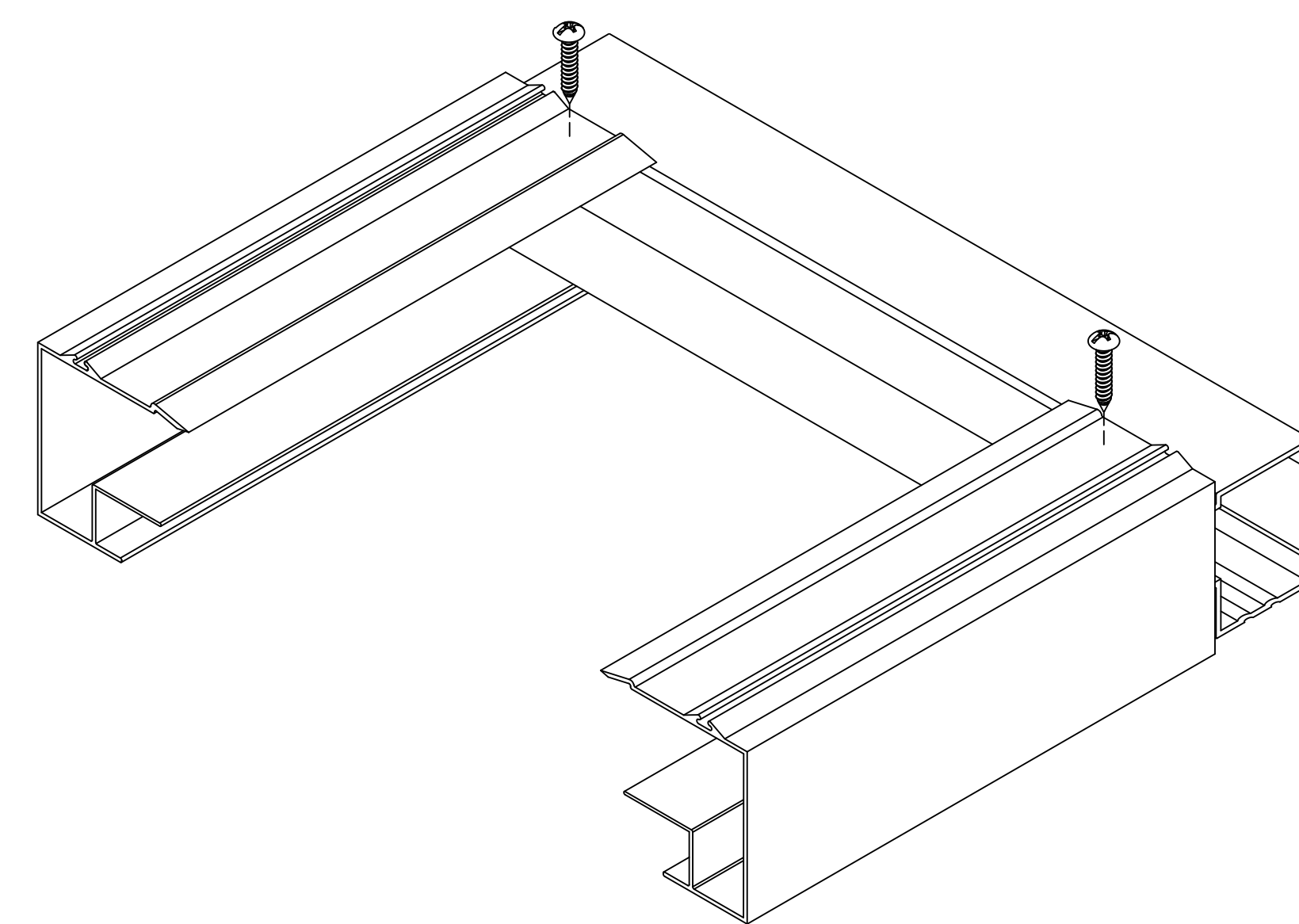


- ① DOOR ASSY PROCESS IS STARTED WITH DOOR FACE DOWN. INSERT THE HEADER ASSEMBLY INTO THE ALUMINUM SIDE RAIL AND FASTEN AT TOP WITH (1) #10 X 1" SELF DRILLER. (OTHER SCREWS ARE ADDED AFTER DOOR IS SQUARE)

H RAIL



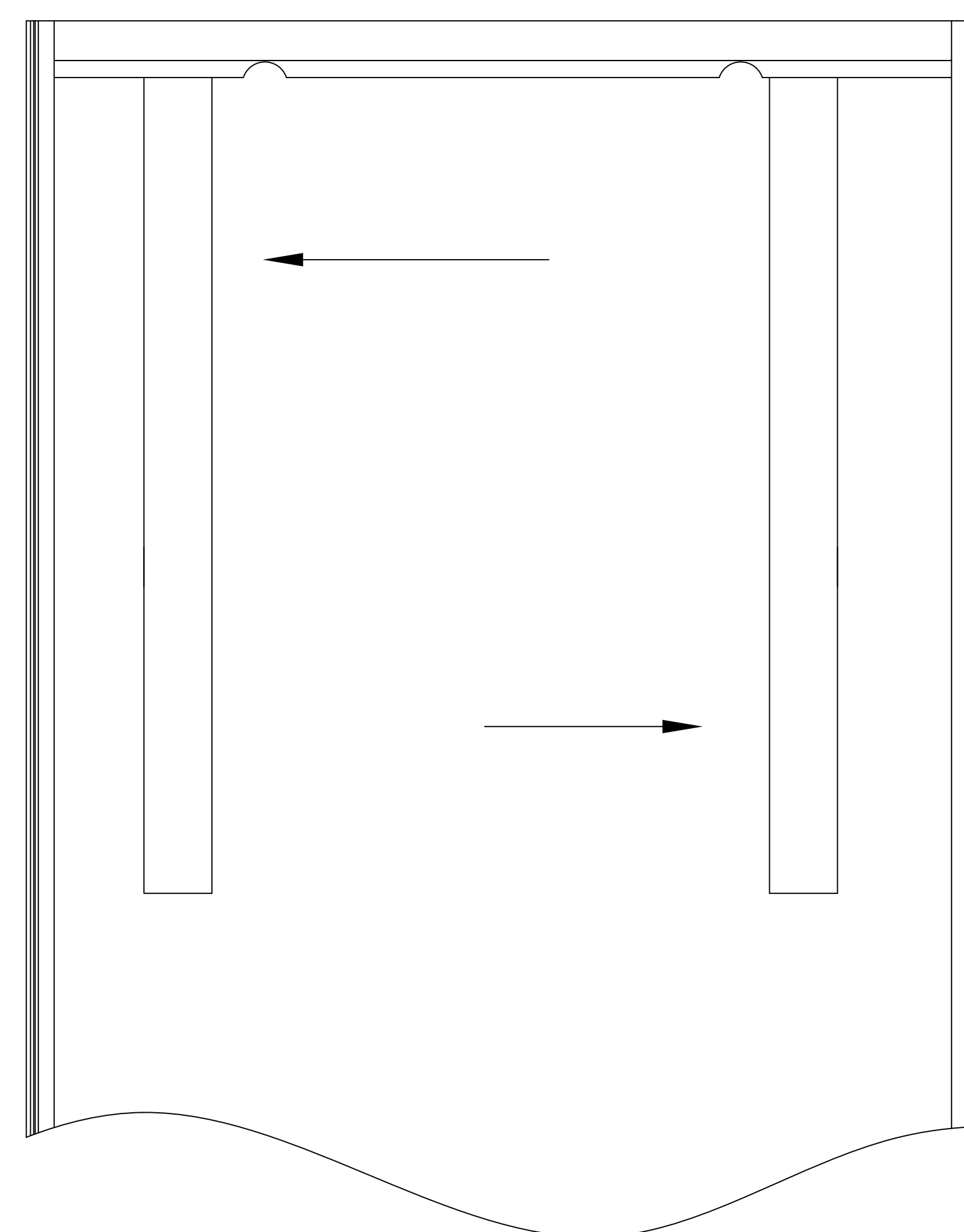
- ② INSERT SIDE RAIL OR H RAIL ON TO OTHER SIDE OF THE HEADER ASSEMBLY AND FASTEN WITH (1) #10 X 1" SELF DRILLER. ONE H RAIL IS PROVIDED ON SPLIT DOOR APPLICATIONS AS SHOWN.



- ③ INSERT THE BOTTOM RAIL WITH GUIDE INTO THE SIDE RAILS AND FASTEN WITH (2) #10 X 1" SELF DRILLERS. (OTHER SCREWS ARE ADDED AFTER DOOR IS SQUARE)

- ④ EACH DOOR WITH A HALF LITE HAS (2) WINDOW VERTICAL SPACERS.

- ⑤ INSERT WINDOW VERTICAL SPACERS INTO SIDE RAIL. MAKE SURE VERTICAL SPACERS ARE TIGHT TO HEADER ASSEMBLY AND FULLY INSERTED INTO SIDE RAIL SO THAT WINDOW ROUGH OPENING IS MAINTAINED.





ARCADIAN SLIDER HALF-LITE DOOR ASSEMBLY INSTRUCTIONS

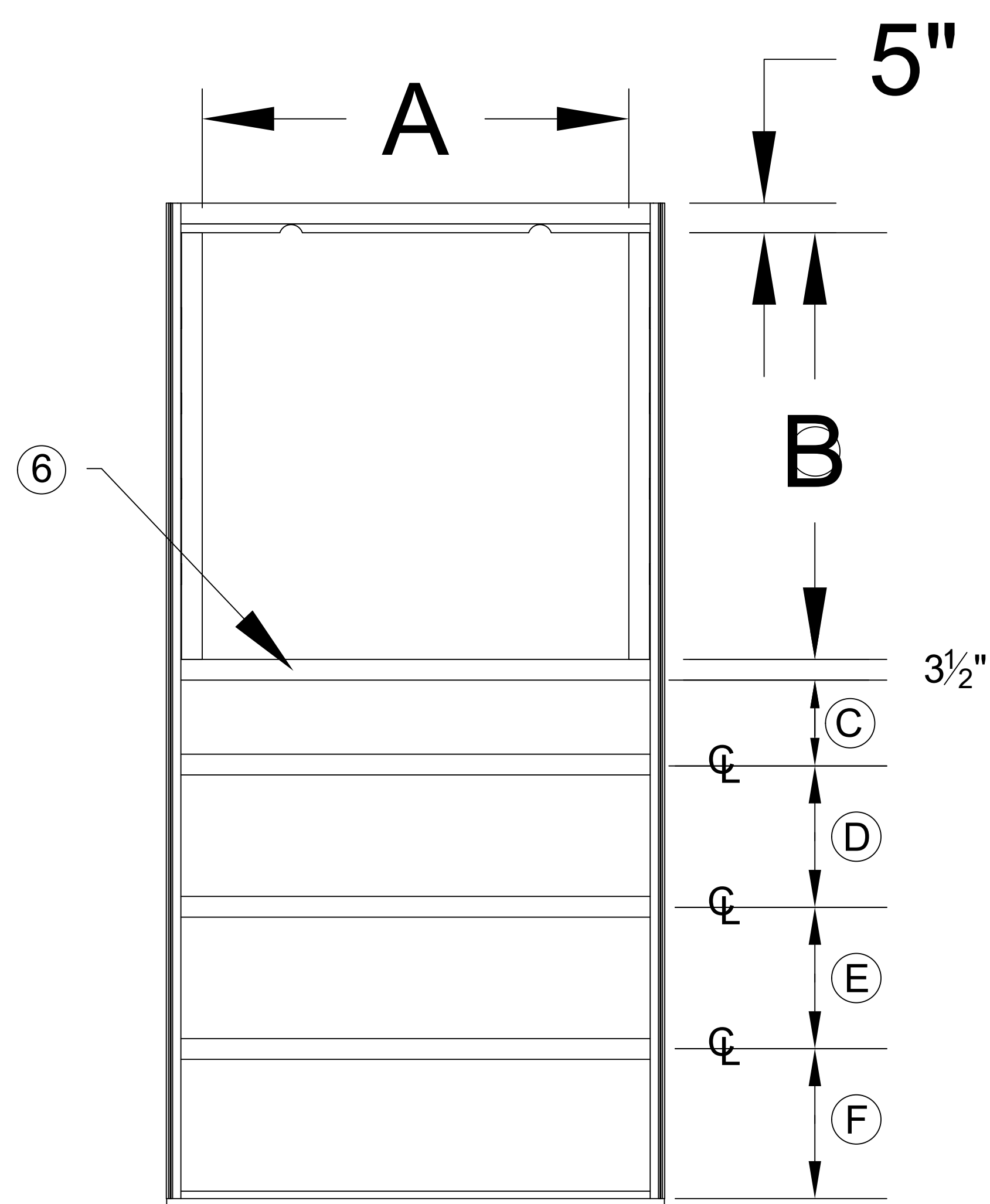
	DOOR WIDTH	WINDOW ROUGH OPENING WIDTH
A	4'	36"
A	5'	48"
A	6'	60"
A	7'	72"

	DOOR HEIGHT	WINDOW ROUGH OPENING HEIGHT (A)
B	8'	40.625"
B	10'	52.625"
B	12'	64.625"
B	14'	76.625"

⑥ INSTALL TOP BOX GIRT TIGHT TO BOTTOM OF WINDOW VERTICAL SPACER.

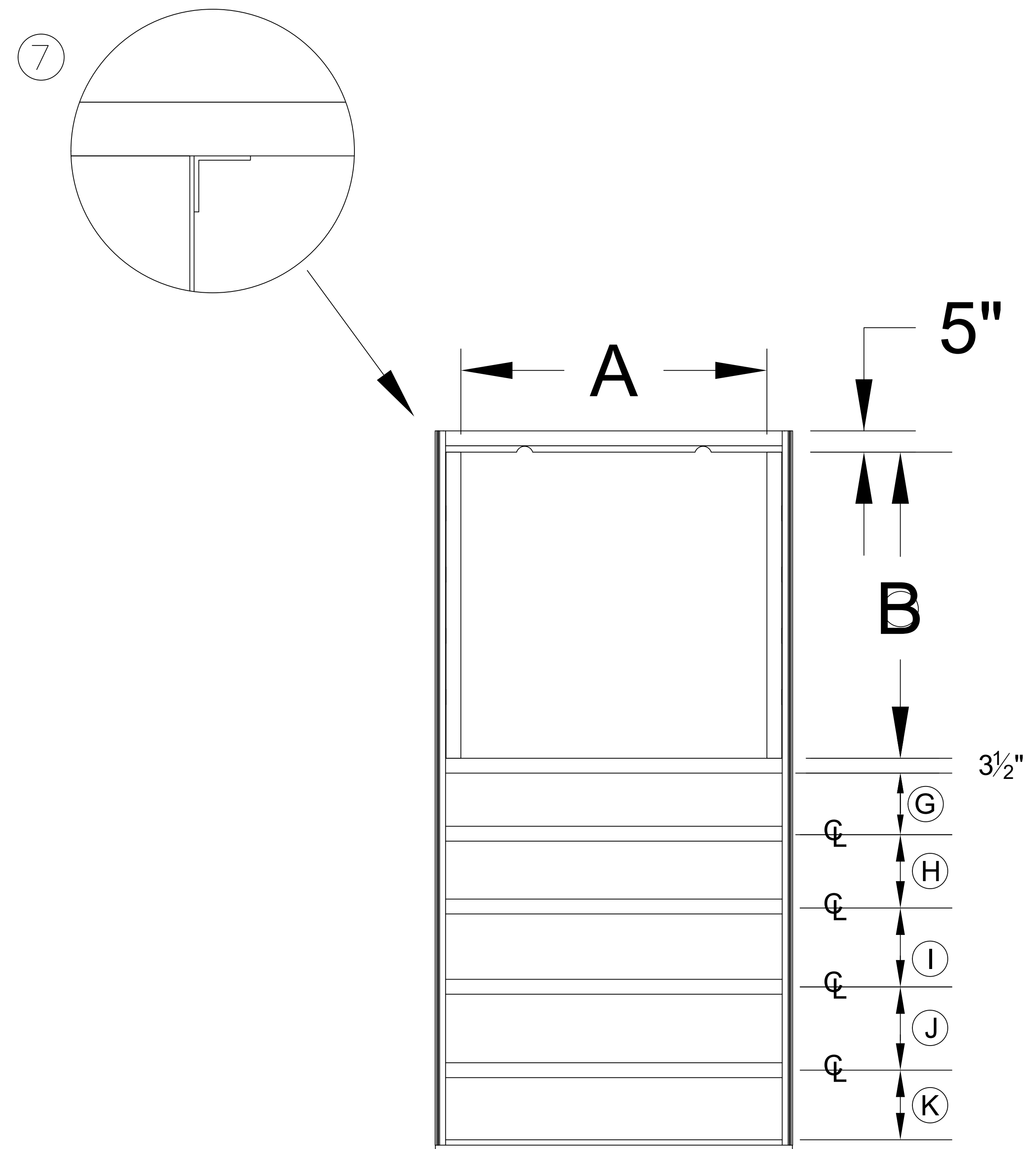
⑦ INSTALL (4) JOIST ANGLES IN THE CORNERS OF WINDOW ROUGH OPENING.

⑧ POSITION BOX GIRTS PER CHART AND CHECK DOOR FOR SQUARENESS. FASTEN EACH GIRT WITH (1) SELF DRILLER AT THIS TIME.



4' & 5' WIDE

DOOR HEIGHT	C	D	E	F
8'	22.875	24		
10'	10.875	24	24	
12'	22.875	24	24	
14'				



6' & 7' WIDE

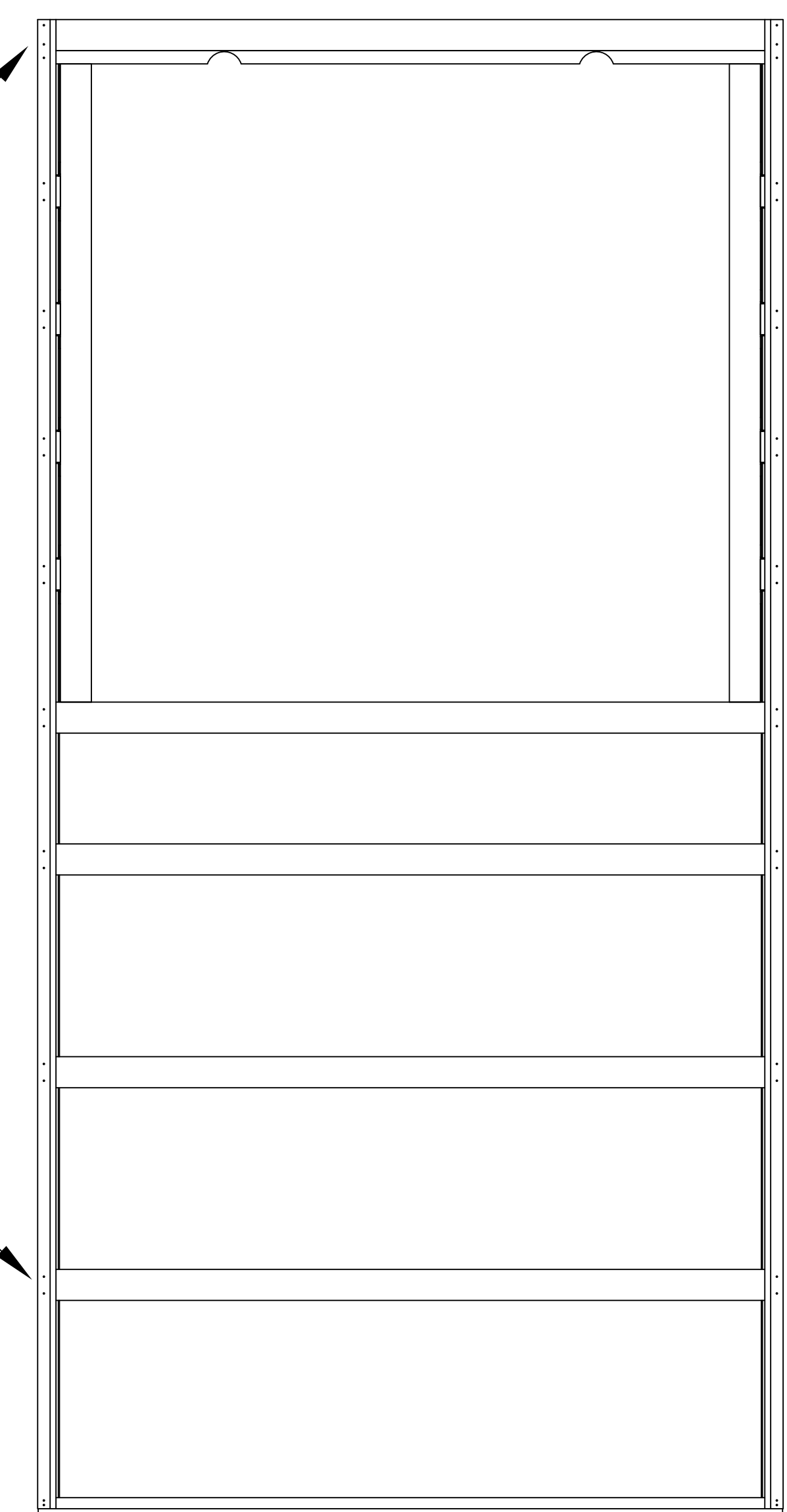
DOOR HEIGHT	G	H	I	J	K
8'	14.875	16	16		
10'	10.875	16	16	16	
12'	6.875	16	16	16	16
14'	18.875	16	16	16	16

⑨ RECHECK DIAGONAL DIMENSIONS FOR SQUARENESS AND FASTEN ALL GIRTS AND HEADER ASSEMBLY WITH A SECOND SELF DRILLING FASTENER

⑩ TURN DOOR OVER AND CHECK SQUARENESS.

(3) SELF DRILLERS IN EACH END OF HEADER ASSEMBLY

(2) SELF DRILLERS IN EACH END OF ALL GIRTS





ARCADIAN SLIDER HALF-LITE DOOR ASSEMBLY INSTRUCTIONS

⑪ POSITION PLYWOOD (WE RECOMMEND $\frac{3}{8}$ " PLYWOOD) AS SHOWN AND FASTEN WITH #10 X 1" SELF DRILLERS 12" O.C. HORIZONTALLY AND VERTICALLY. KEEP FASTENERS BACK $1\frac{1}{2}$ " FROM WINDOW ROUGH OPENING TO AVOID NAILING FLANGE. PLYWOOD PROVIDED BY CONTRACTOR IF PURCHASED AS A KIT.

PLYWOOD CUT WIDTH

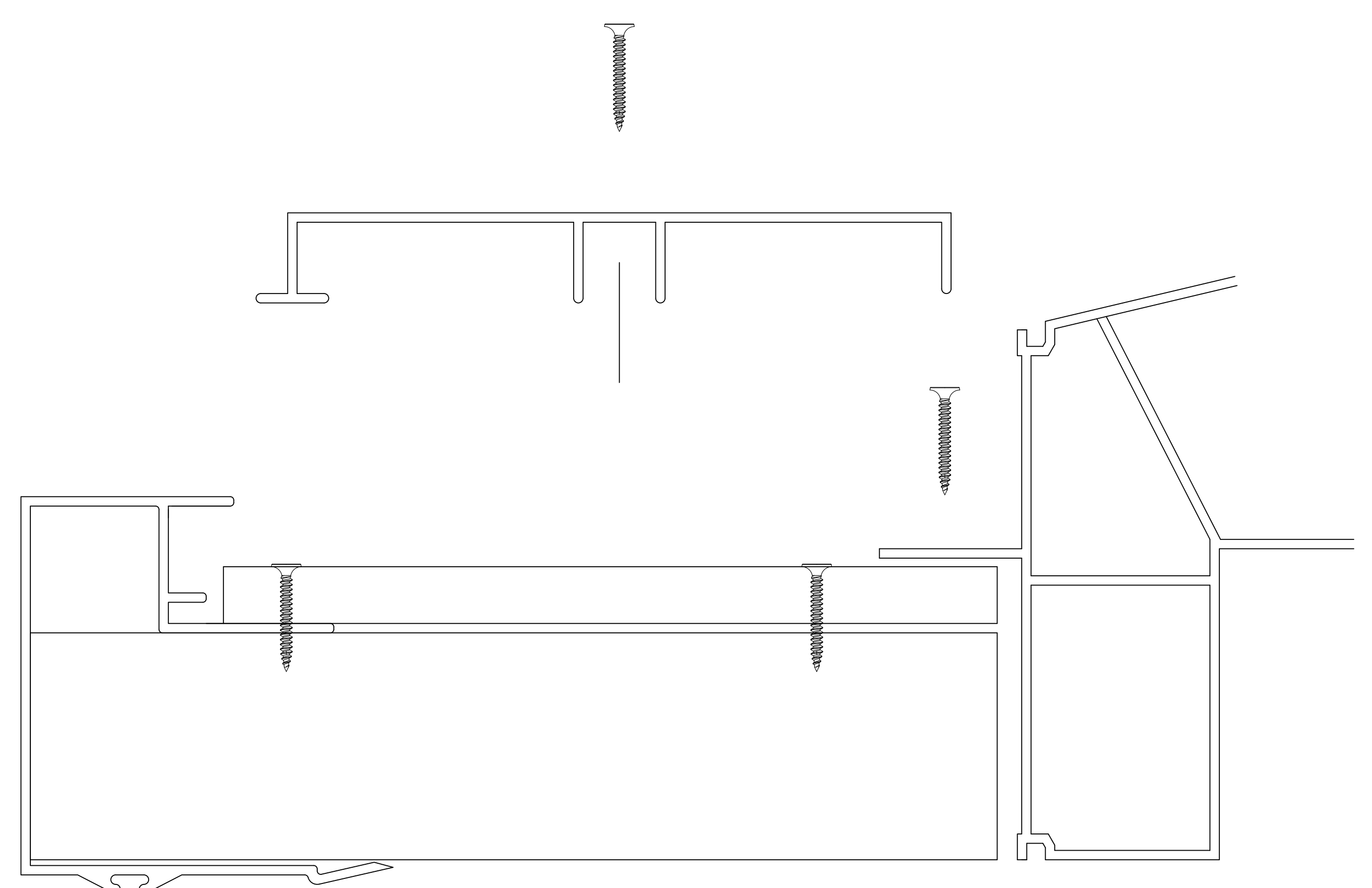
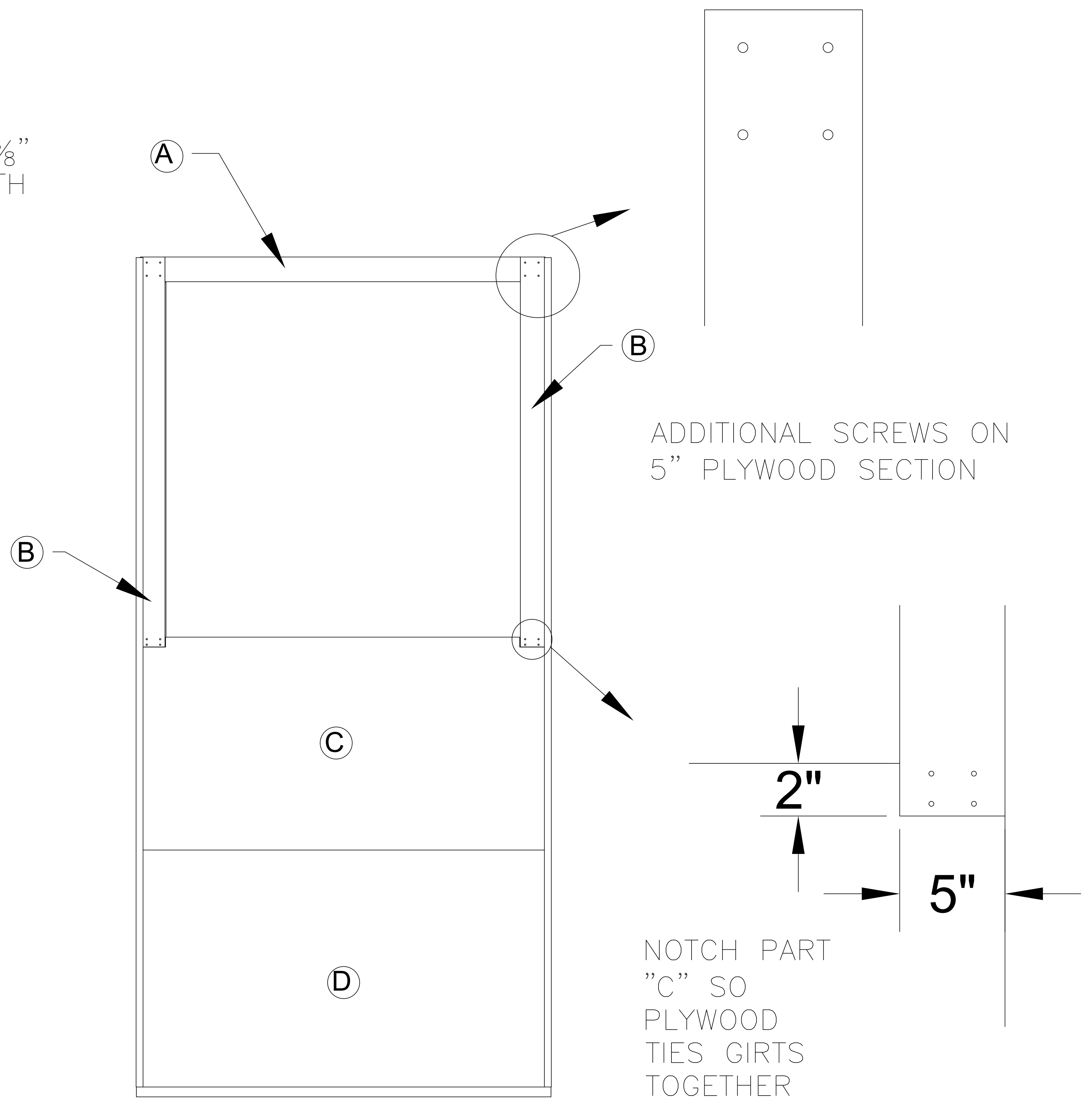
IF DOOR WIDTH =	A	B	C	D
4'	35.5	5	45.688	45.688
5'	47.5	5	57.688	57.688
6'	59.5	5	69.688	69.688
7'	71.5	5	81.688	81.688

PLYWOOD CUT HEIGHT

IF DOOR HEIGHT =	A	B	C	D
8'	5	47.625	26.375	24
10'	5	59.625	14.375	48
12'	5	71.625	26.375	48
14'	5	83.625	38.375	48

EX. FOR A 7X14 H.L.- PLYWOOD =
 A 71.5 X 5
 B 83.625 X 5
 C 81.688 X 38.375
 D 81.688 X 48

⑫ INSTALL WINDOW IN CENTER OF ROUGH OPENING. (TOP TO BOTTOM AND SIDE TO SIDE) USE #10 X 1" SELF DRILLERS TO ATTACH WINDOW. CHECK TO MAKE SURE VERTICAL ALUMINUM TRIM WILL FIT BESIDE WINDOW BEFORE FASTENING.



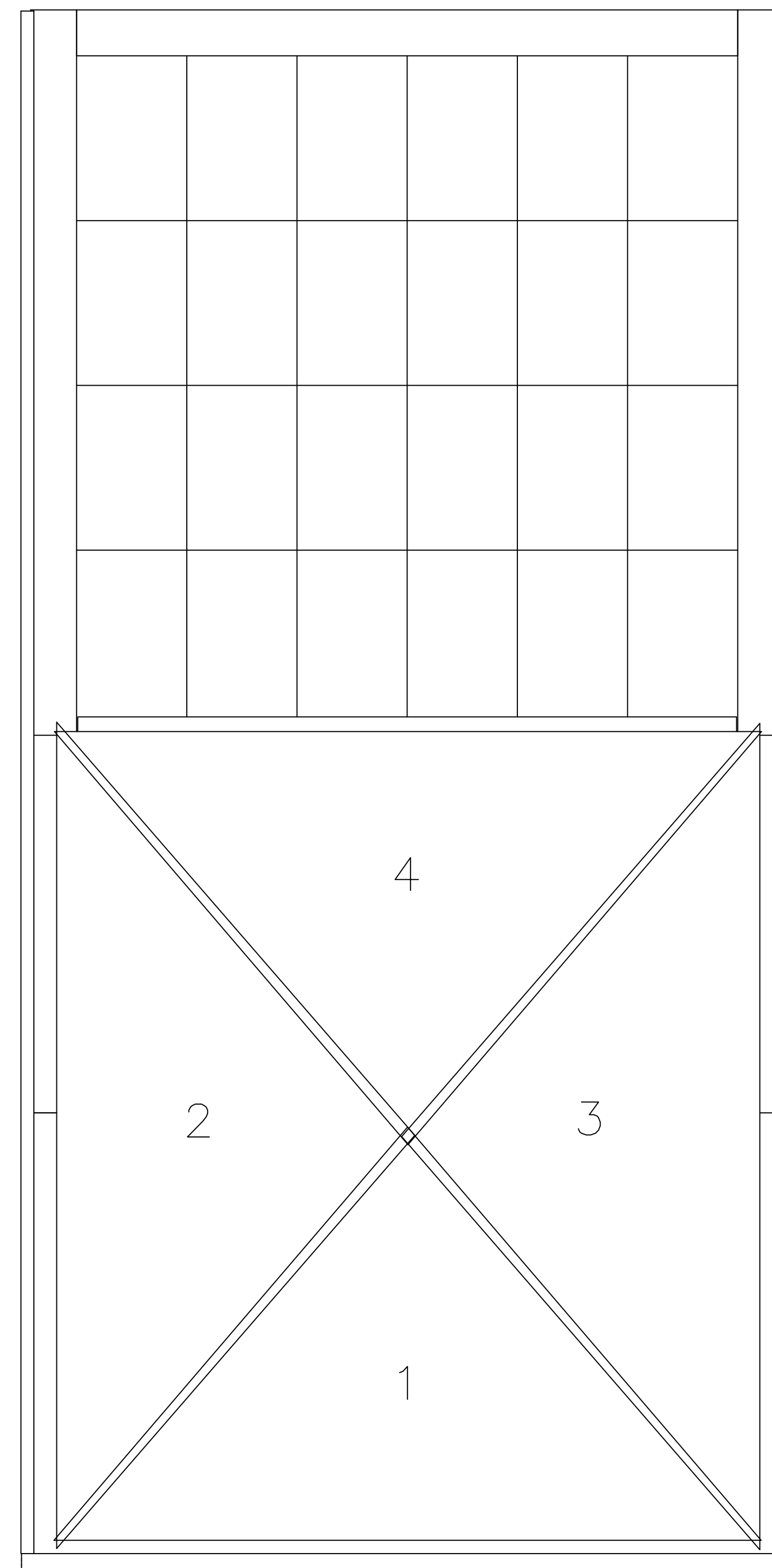


ARCADIAN SLIDER HALF-LITE DOOR ASSEMBLY INSTRUCTIONS

14

PLYWOOD

ALUM
RAIL

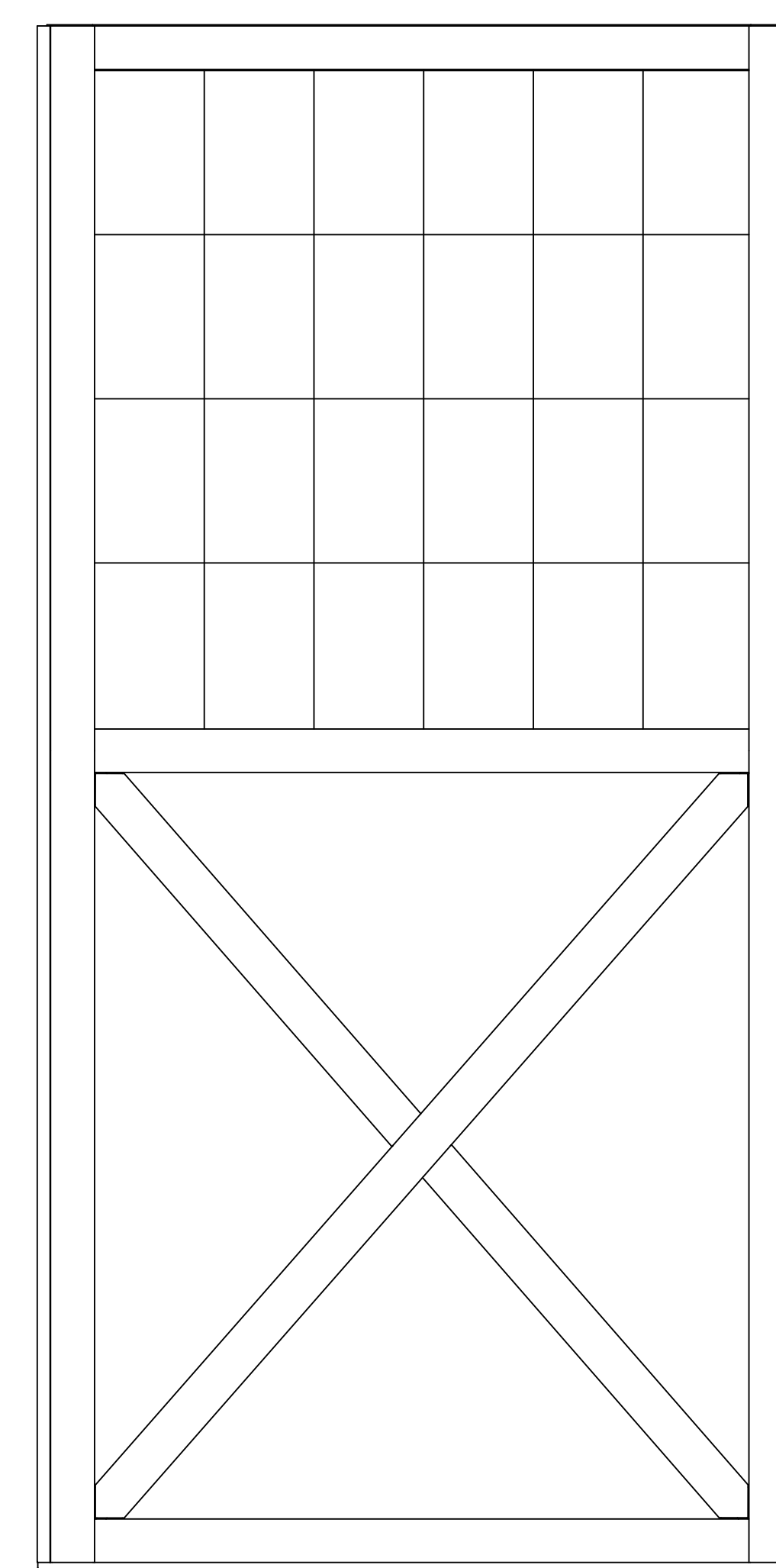


13 ATTACH 29GA INSERT PANELS IN THE ORDER SHOWN TO CREATE SHINGLE EFFECT. EACH NUMBER SIGNIFIES WHEN THAT PART GETS LAID DOWN ONTO PLYWOOD. THERE IS APPROXIMATELY A 2" OVERLAP ALLOWED. LAMINATE STEEL TO PLYWOOD USING A HIGH PERFORMANCE LAMINATE ADHESIVE (NOT SUPPLIED WITH KIT).

14 CUT DOWN TOP TRIM TO APPROPRIATE LENGTH AND ATTACH TO TOP OF DOOR USING #10 X 1" SELF DRILLERS.

15 PLACE VERTICAL AND HORIZONTAL TRIMS IN POSITION. USE THE HORIZONTAL TRIMS TO ESTABLISH THE SPACING BETWEEN THE VERTICALS. USE #10 X 2" PAINTED SELF DRILLERS ON VERTICAL AND HORIZONTAL. USE #10 X 1" PAINTED FOR CROSSBUCKS.

16 INSTALL DOOR PULL AND TBSG DOOR GUIDE. TRACK AND TROLLEYS ARE PROVIDED BY CONTRACTOR AS WELL AS PLYWOOD IF SHIPPED IN KIT FORM.



17 AT OWNERS DISCRETION, BACK OF DOOR CAN BE COVERED WITH 1/4" MAX THICKNESS MATERIAL. (PLYWOOD, PLASTIC, MASONITE, ETC...) (CUSTOMER SUPPLIED MATERIAL AND FASTENERS)

